

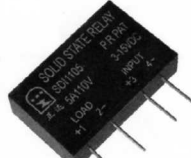

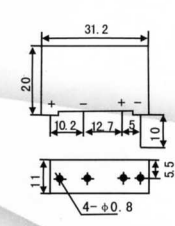
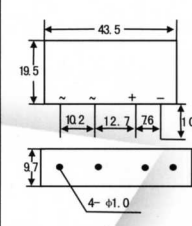
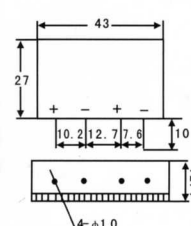
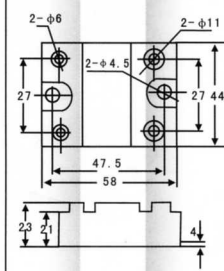
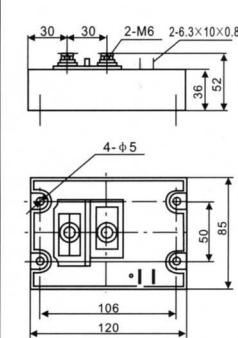


■ **SOLID STATE RELAY**
■ **POWER SEMICONDUCTORS**
DIODE & THYRISTOR MODULES

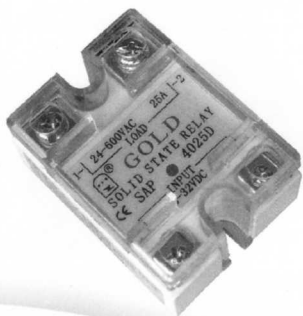
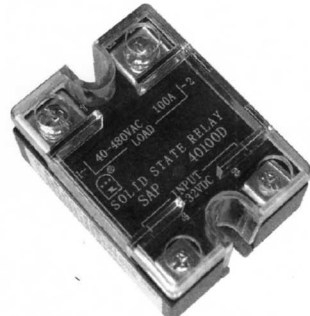
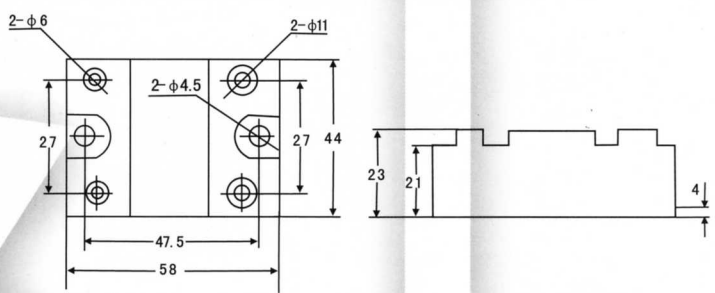


SOLID STATE RELAY

■ DC SSR of soldering type and horizontal type

Parameter	Product model number and external appearance	SDI1102D	SDI1103D SDI1105D	SDI1104D SDI1105D	SDP type	SDM type		
	Main Technical Specifications							
Load voltage	12-110VDC	12-110VDC、12-300VDC			12-110VDC 12-400VDC 12-600VDC	48-400VDC 48-1000VDC		
Max Load current	2A	3A 4A	5A	5A 10A 20A 30A 40A 60A	80A 100A 150A 200A 300A 400A 500A 600A			
Isolation bet. In & out	≥1500V							
Isolation to case	≥2000V							
Control Voltage	3-15V							
Control current	2-30mA							
Turn-on voltage	≤1.3V				≤1.5V			
off-state leakage	<0.05mA				<1mA			
Status indicator	NO	LED						
Operating temperature	-40~80°C							
on or off time	≤0.1ms				≤5ms	≤25ms		
Dimensions								
Elucidation	Voltage resistance can be required by customer, and the highest can be 1000VDC					We can also produce large current double DC SSR, which is used in DC Motor F/R control		




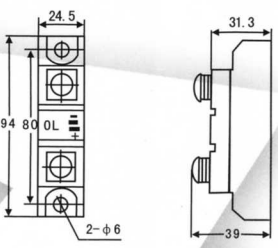
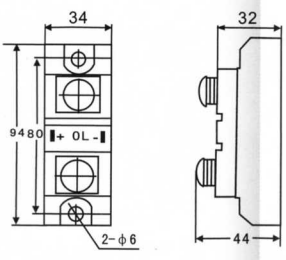
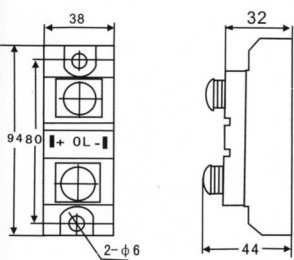
■ AC SSR of Horizontal type

Product model number and external appearance Parameter Main Technical Specifications	SAP4005D SAP4010D SAP4015D SAP4020D SAP4025D SAP4030D SAP4040D	SAP4050D SAP4060D SAP4070D SAP4080D SAP4090D SAP4100D
		
Load voltage	40-480VAC、90-660VAC (choice)	
Max Load current	5A、10A、15A、20A、25A、30A、40A	50A、60A、70A、80A、90A、100A
Isolation bet. In & out	≥2000VAC	
Isolation to case	≥2000VAC	
Control Voltage	3-32VDC	
Control current	6mA-25mA(Automatically limits current)	
Turn-on voltage	≤1.3V	
off-state leakage	≤3mA	
off-state dv/dt	300V/us	
Max on or off time	10ms	
Frequently range	47/63Hz	
Status indicator	IN LED, OUT LED (choice)	
Operating temperature	-40~80℃	
Dimention		
Elucidation	In addition, has the AC input(90~280VAC) entire series product and the input & output double instruction (national monopoly) series product.	



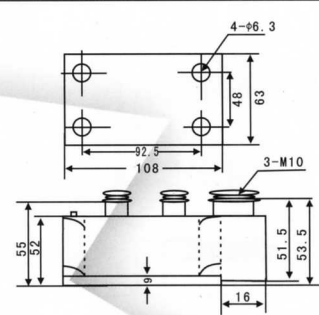
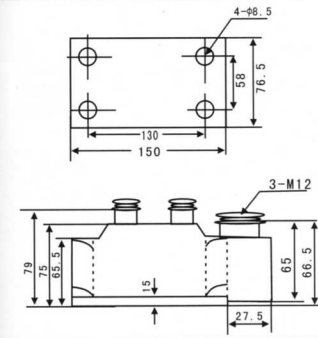
Solid State Relay



■ AC SSR of Module type



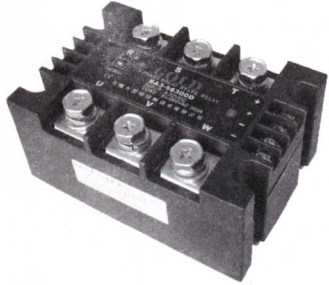
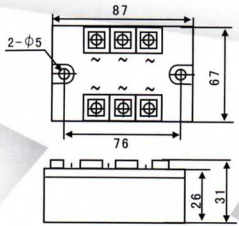
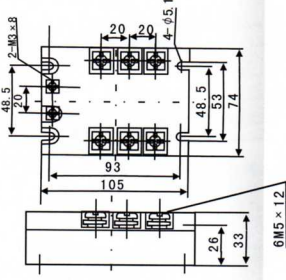
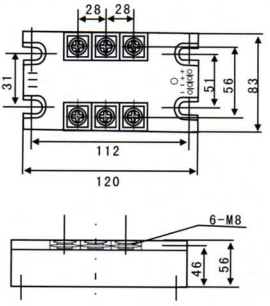
Parameter	Product model number and external appearance	SAM4060D SAM4080D SAM40100D SAM40120D SAM6060D SAM6080D SAM60100D SAM60120D	SAM40150D SAM40200D SAM40250D SAM40300D SAM60150D SAM60200D SAM60250D SAM60300D	SAM40400D SAM60400D
	Main Technical Specifications			
Load voltage	40-480VAC、90-660AC、90-1000VAC			
Max Load current	60A、80A、100A、120A	150A、200A、250A、300A	400A	
Isolation bet. In & out	≥2000VAC			
Isolation to case	≥2000VAC			
Control Voltage	3-32VDC			
Control current	6mA-20mA			
Turn-on voltage	≤1.3V			
off-state leakage	≤3mA			
off-state dv/dt	300v/us			
Max on or off time	10ms			
Frequently range	47/63Hz			
Status indicator	IN LED			
Operating temperature	-40~80℃			
Dimensions				
Elucidation	In addition, has the AC input (90~280VAC) series product.			

■ AC SSR of Module type

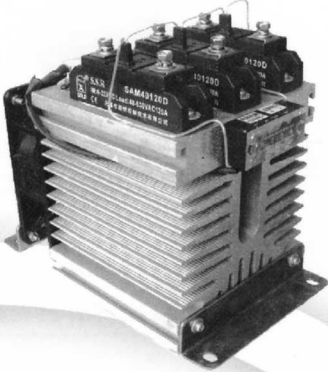
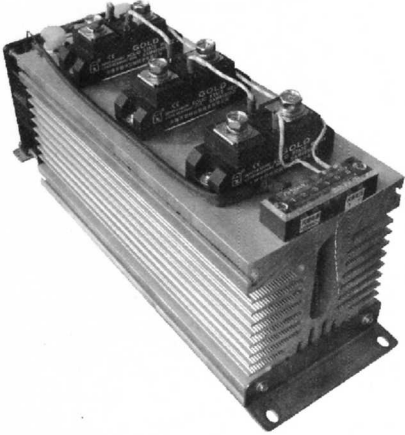
Product model number and external appearance Parameter Main Technical Specifications	SAM80500D SAM80600D 	SAM80800D SAM801000D SAM801600D 
Load voltage	40-800VAC	
Max Load current	500A、600A	800A、1000A、(1600A)
Isolation bet. In & out	≥2000VAC	
Isolation to case	≥2000VAC	
Control Voltage	3-32VDC	
Control current	6mA-25mA	
Turn-on voltage	≤1.3V	
off-state leakage	≤3mA	
off-state dv/dt	500v/us	
Max on or off time	10ms	
Frequently range	47/63Hz	
Status indicator	LED	
Operating temperature	-40~80℃	
Dimensions		
Elucidation	The 1600A graphical representation size may inquire on-line.	

Solid State Relay

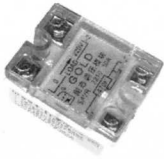

■ Three-phase SSR

Parameter	Product model number and external appearance	SA3-4010D SA3-4015D SA3-4025D SA3-4030D	SA3-4040D SA3-4060D SA3-4080D SA3-4090D	SA3-66100D SA3-66120D SA3-66150D SA3-66200D SA3-66300D
	Main Technical Specifications			
Load voltage	40-530VAC			40-530VAC、90-660VAC、 90-1000VAC
Max Load current	10A、15A、25A、30A	40A、60A、80A、90A	100A、120A、150A、200A、300A	
Isolation bet. In & out	≥2000VAC			
Isolation to case	≥2000VAC			
Control Voltage	3-32VDC			
Control current	15mA-20mA			
Isolation between phases	≥2000VAC			
Turn-on voltage	≤1.5V			
off-state leakage	≤1mA			
off-state dv/dt	300v/us			
Max on or off time	10ms			
Frequently range	47/63Hz			
Status indicator	LED			
Operating temperature	-40~80°C			
Dimensions				
Elucidation	In addition, has the AC input 90~280VAC entire series product			


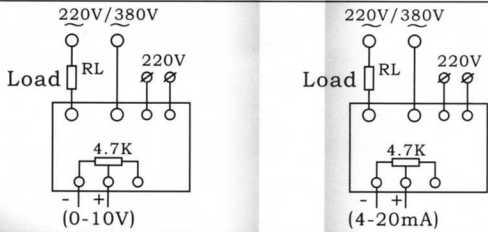
■ Combination AC SSR

Product model number and external appearance	SAM4060×3W--	SMA4080×3W--	SAM40150×3W--	SMA40200×3W--
	SAM40100×3W--	SAM40120×3W--	SAM40300×3W--	SAM40400×3W--
Parameter				
Main Technical Specifications				
Load voltage	40-480VAC			
Max Load current	80A、100A、120A、150A		150A、200A、300A、400A...800A	
Isolation bet. In & out	≥2000VAC			
Isolation to case	≥2000VAC			
Control Voltage	10-32VDC			
Control current	15mA-20mA			
Turn-on voltage	≤1.3V			
off-state leakage	≤3mA			
off-state dv/dt	300v/us			
on or off time	10ms			
Frequently range	47/63Hz			
Status indicator	LED			
Operating temperature	-40~80℃			
Dimentions	Height:20cm width:2.5cm the size is according to the actual current(reference to hestsink of P16)			
Elucidation	We also have 3-phase voltage controller of large power			

■ Voltage control of resistance adjustment

Performance index specifications Main Technical Specifications	Product model number and external appearance	SAVR2210 SAVR2220 SAVR2225 SAVR2240 SAVR2260 SAVR2280	SAVR3810 SAVR3820 SAVR3825 SAVR3840 SAVR3860 SAVR3880
			
Load adjusting voltage		0-220VAC	0-380VAC
Current ratings		10A、20A、25A、40A、60A、80A	
Adjusting resistance		470K(Potentiometer)	
Isolation bet .In & out		Please be careful of electricity	
Isolation to case		≥2000VAC	
Turn to voltage		≥2V	
Operating temperature		-40~80°C	
Dimensions		P type (Picture on P4)	
Application account			

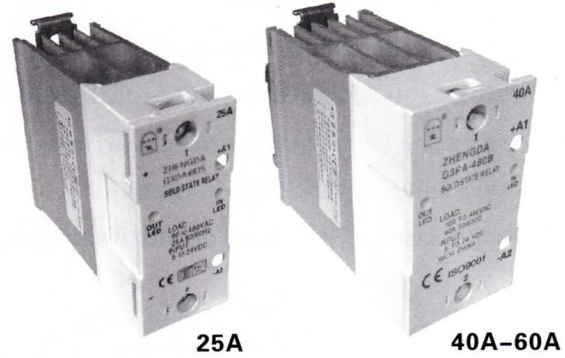
■ Voltage control module of voltage

Performance index specifications Main Technical Specifications	Product model number and external appearance	MGV22 Series (5A to 200A)	MGV38 Series (5A to 200A)
			
Load adjusting voltage		0-220VAC	0-380VAC
Current ratings		5A、10A、25A、40A、60A、80A、100A、150A、200A	
Control mode		4.7K(Potentiometer)+0-5VDC	
Isolation bet .In & out		≥2000VAC	
Isolation to case		≥2000VAC	
Turn to voltage		≥1.3V	
Operating temperature		-40~80°C	
Dimensions		SA3 Type	
Application account			
Elucidation		Use 3 MGV to have 3-phase voltage control(It just be applied to star connection heating load)	

■ AC SSR (25A-60A) of all-in-one radiator

- Zero-cross type.
- Guide rail installing.
- Rated current 25A, 40A, 50A, 60A.
- Enhanced type.
- RC absorption protection.
- Double LED indicate input & output condition.
- Authentication symbol.

Outline drawing

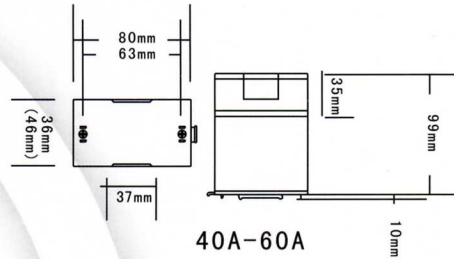


25A

40A-60A

Output parameter	BCR or SCR anti-parallel connection
Voltage scope(Max VRMS)	48-600
Peak voltage(V peak)	1000
Maximum current(A)	25, 40, 50, 60
Off-state maximum leakage (mA) (T=25°C Vmax)	3
Turn-on voltage(V)max, T=25°C	≤ 1.2
Static state(off-state) dv/dt(V/us)	500
Frequency range(Hz)	47/63
Input parameter	5-24VDC
Input voltage(V)	
Input control current(mA)	14-18(automatic limit current)
Operate time	≤ 10ms(0.5cycle)Max
Response time(opened)	≤ 10ms(0.5cycle)Max
General parameter	
Operating temperature(°C)	-40-80
Isolation bet in & out(VRMS)	≥ 2000V
Isolation to case(VISO) (VRMS)	≥ 2000V
Material	Outer covering anti-burns
Radiator	Foundation plate pigment aluminum molding
Weight	340g
Input terminal	M3
Output terminal	M4, M5
*Fit the special installment guide rail	

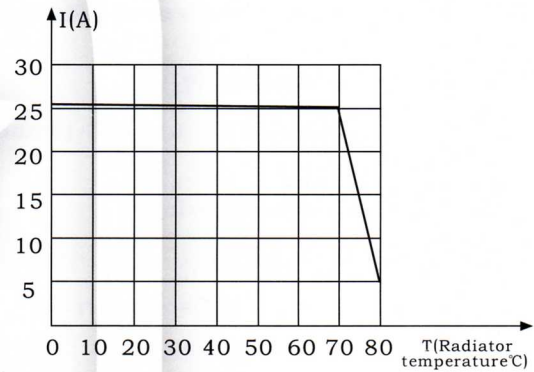
External dimension



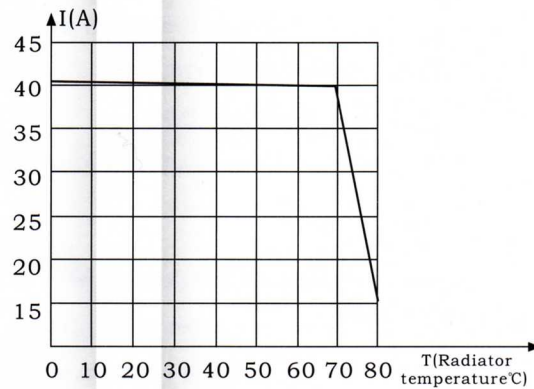
40A-60A

Rated value temperature curve

- G3DA4825



- G3DA type 40A



■ AC SSR(100A-130A) of all-in-one radiator

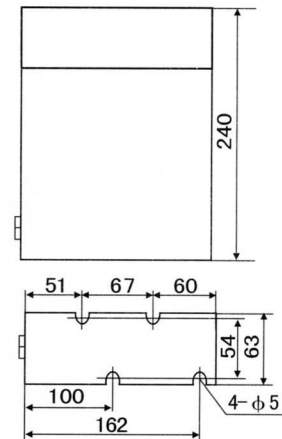
- Single-phase, current rating 80A, 100A, 130A;
- SCR anti-parallel combination enhanced type;
- The out-port is load with the fast fuse protection;
- RC absorption protection;
- Double LED indicate input & output condition;
- The CT inductance feed out voltage signal.

Outline drawing



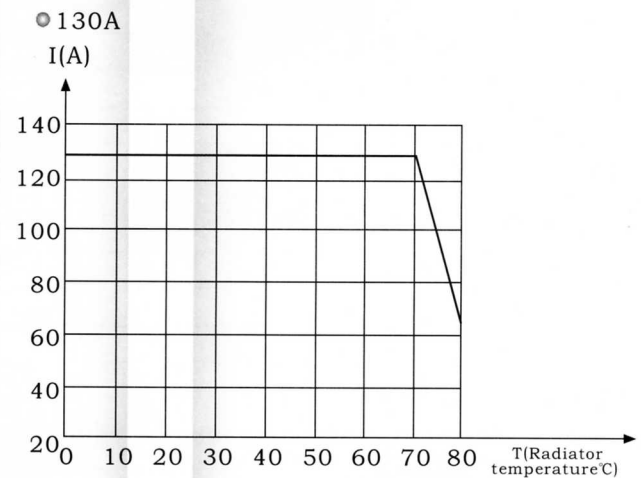
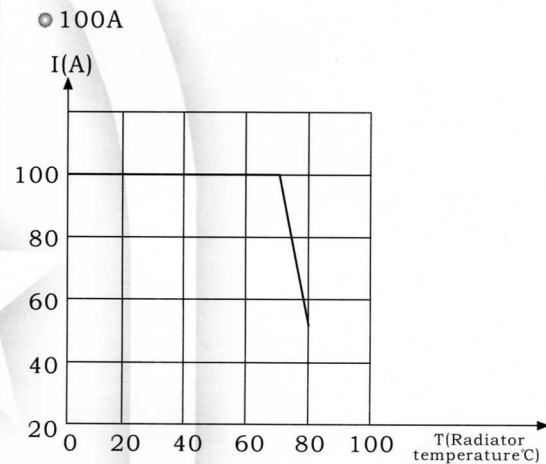
National patent product

External dimension



Output parameter	SCR anti-parallel connection
Voltage scope(Max VRMS)	48-660
Peak voltage(t=1min)(V peak)	1200
Maximum current(A)	100 130
Off-state maximum leakage (mA) (T=25°C)	3mA
Turn-on voltage (VTmax)T=25°C	1.5
Static state(off-state)dv/dt(V/us)	500
Frequency range(Hz)	47/63
Input parameter	
Input voltage(V)	4-32VDC or 110VAC±15VAC
Input control current(mA)	8-30
Operate time (closed)	10ms,(0.5cycle) Max
Response time(opened)	10ms,(0.5cycle) Max
General parameter	
Operating temperature(°C)	-40~80
Isolation bet in & out(VRMS)	≥2000V
Isolation to case(VISO) (VRMS)	≥2000V
Material outer covering foundation plate	Anti-burns the black pigment aluminum molding
Weight	3kg
Input terminal	Screw Fatens
Output terminal	M8

Rated value temperature curve



SSR fitting

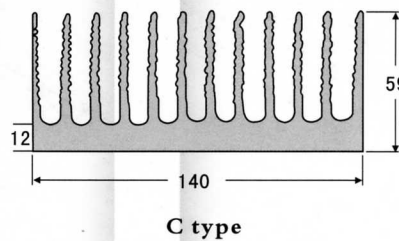
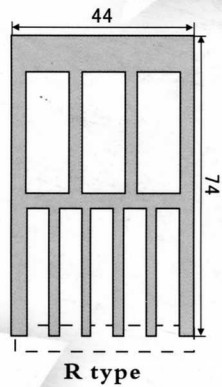
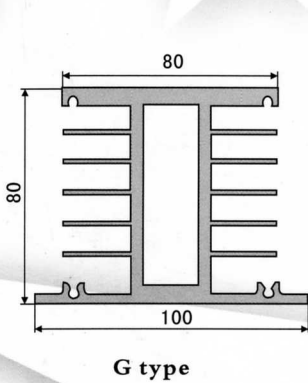
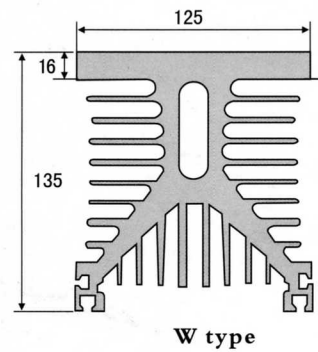
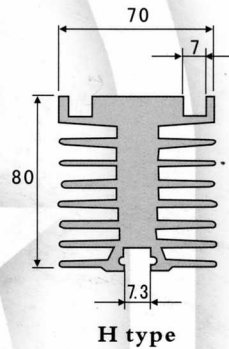
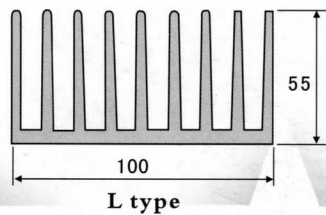
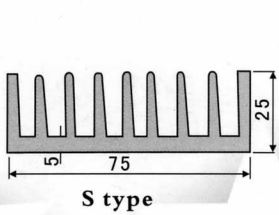
Radiator

When SSR power on, heat will be produced due to reason such as turn-on voltage, the 1A operating current is equal to has the 1W calorific capacity. Therefore when is bigger than 5A in the operating current, should dispose radiator. Below for SSR belt heater load Recomm-entation table:

Mono-phase SSR type	Radiator	Mono-phase SSR type	Radiator
5A	Cilp	80A	H80
10A	S75	90A	H100
15A	S75	100A	H120 H100
20A	S75/R75	120A	H120
25A	H60/R75	150A	H160
30A	H60/R75	200A	H180
40A	H60	250A	W80
50A	H80	300A	W110
60A	H80	400A	W125

Three-phase SSR type	Radiator	Three-phase SSR type	Radiator
10A	G110	100A	W110
15A	G110	120A	W125
20A	G110	150A	W155
25A	L150	200A	W170
30A	L150	250A	W210
40A	L180	300A	W300
60A	C125	400A	3×W125
80A	L150 C125	/	/

Note: Naming of types of radiator: S, R, W, H, C, G (outline of radiator, see diagram) + Cength of radiator (can defined by yourself). If load is electric motor, radiator can be reasonably smaller. The price of the above radiator includes installment of guide rail, radiators can be fit directly on universal guide rail.



- Clip of guide rail
unit price: \$0.8/each



- Transparent protection cover
Protection cover of mono-phase SSR (free of charge)
Protection cover of three-phase SSR (free of charge)